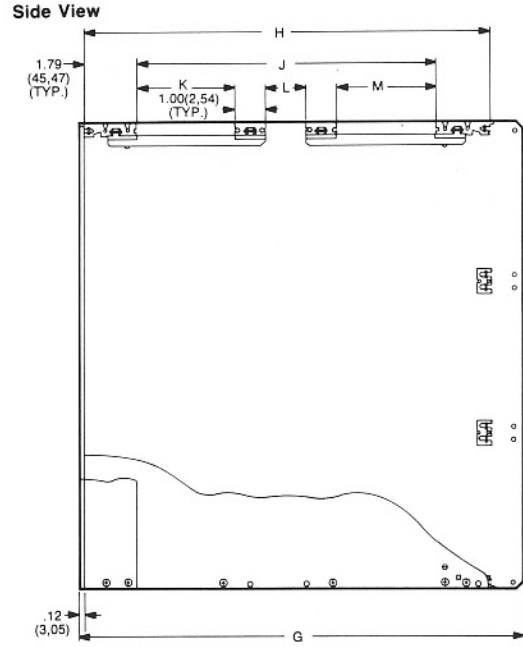
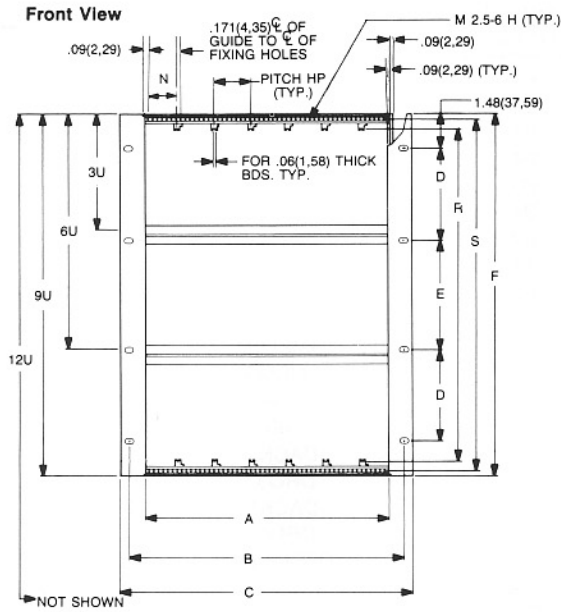


# VME, VXI, Multibus II and Sun™ Subrack Dimensions



- A = The total subrack opening in HP's from the inside edge of the EIA flanges. 1 HP equals .2 inches.
- B = Dimension "A" (expressed in HP) times .2 plus 1.51 inches.
- C = Dimension "A" (expressed in HP) plus 2.2 inches.

The following chart provides the maximum opening of every subrack available and will be determined by the number of slots needed and the pitch between the guides.

Number of Slots Required	Dimension A (HP's)					
	3 HP	4HP	5HP	6HP	7HP	8HP
1	7	8	9	10	11	12
2	10	12	14	16	18	20
3	13	16	19	22	25	28
4	16	20	24	28	32	36
5	19	24	29	34	39	44
6	22	28	34	40	46	52
7	25	32	39	46	53	60
8	28	36	44	52	60	68
9	31	40	49	58	67	76
10	34	44	54	64	74	84
11	37	48	59	70	81	
12	40	52	64	76		
13	43	56	69	84		
14	46	60	74			
15	49	64	79			
16	52	68	84			
17	55	72				
18	58	76				
19	61	80				
20	64	84				
21	67					
22	70					
23	73					
24	76					
25	79					
26	84					

† Less .40 (10, 16) when figuring for offboard and inboard termination backplanes

Subrack Height	D	E	F	R <sup>(max)</sup> <sub>(min)</sub>	S
3U	—	2.25	5.22	3.97 (100,83)	4.82
		(57,15)	(132,59)	3.94 (100,08)	(122,43)
6U	—	7.50	10.47	9.22 (234,19)	10.07
		(190,50)	(265,94)	9.19 (233,43)	(255,78)
9U	4.00	4.75	15.72	14.46 (367,28)	15.32
	(101,60)	(120,65)	(399,29)	14.44 (366,78)	(389,13)
12U	5.25	7.50	20.97	19.71 (500,63)	20.57
	(133,35)	(190,50)	(532,64)	19.69 (500,13)	(522,48)

Pitch (HP)	N	Pitch (HP)	N	Pitch (HP)	N	Pitch (HP)	N
2	.34	4	.54	6	1.14	8	1.34
3	(8.64)	5	(13,72)	7	(28,96)		(34,04)
	.54		.94		1.14		
	(13,72)		(23,88)		(28,96)		

† Less .40 (10,16) when figuring for offboard and inboard terminated backplanes

Plug-In Unit Depth	G	H	J	K	L	M
6.30	8.32	6.90	3.33	—	—	—
(160)	(211,33)	(175,26)	(84,58)	—	—	—
8.66	10.68	9.26	5.70	—	—	—
(220)	(271,27)	(235,20)	(144,78)	—	—	—
11.02	13.04	11.62	8.06	5.90	—	1.18
(280)	(331,22)	(295,15)	(204,72)	(149,86)	—	(29,97)
13.39	15.40	13.99	10.42	3.52	1.37	3.52
(340)	(391,16)	(355,35)	(264,67)	(89,41)	(34,80)	(89,41)
15.75	17.77	16.35	13.38	3.52	3.73	3.52
(400)	(451,36)	(415,29)	(339,85)	(89,41)	(94,74)	(89,41)