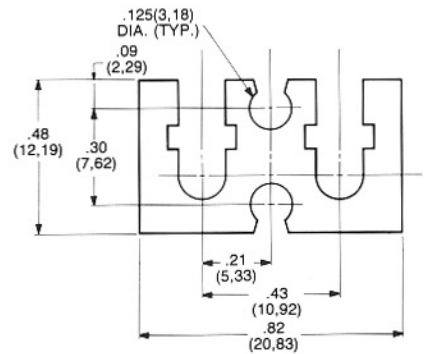
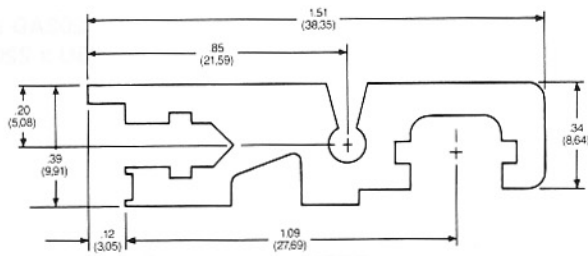


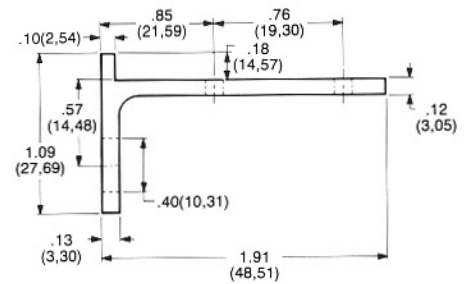
**A: Standard Mounting Bar**



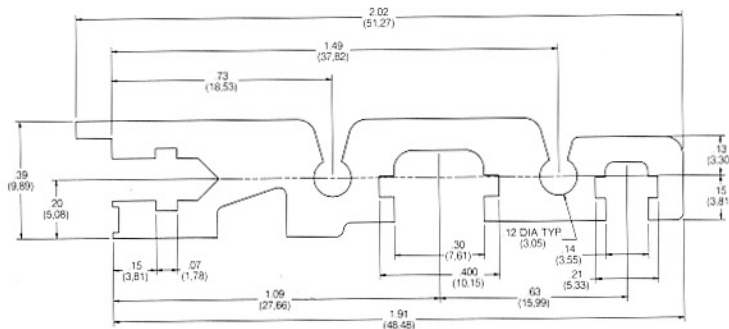
**B: Backplane Support Bar**



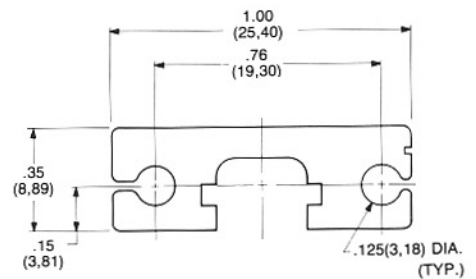
**A: (Optional) Low Profile Mounting Bar**



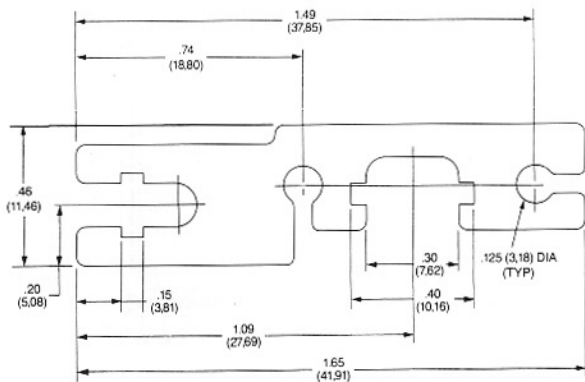
**C: EIA Mounting Flange**



**A: Mounting Bar Screw Down Card Guides**



**D: Guide Support Bar**



**A: (Optional) SUN Style Mounting Bar**

NOTE: SUN Style Mounting Bar is not Used in the Rear Position