

2U Rugged Enclosure

584 Series

ELECTRONIC PACKAGING DIVISION



Carlo Gavazzi's 584 Series of rugged militarized enclosures provides the user with fault-tolerant features in a 2U package for military applications.

- Rugged militarized/industrial PC/AT enclosure
 - Welded seam construction
 - Designed to meet MIL-STD-901D, MIL-STD-810E, and others
 - Mounting options for up to 10-slots PCI/ISA
 - Rear I/O configurations including parallel, serial ports, and keyboard/mouse connections
- 3.5" (2U) H x 19" W x 20" D enclosure
- Dual redundant hot swap 500 Watt power supply
- Front accessible CD-ROM, HDD, and floppy drive with provisions for a second HDD in the 6-slot chassis.
- Heater control system allows for use in the harshest environments as low as -40°C
- Available single board computers, I/O, and expansion
- Lockable EMI tight cover

Designated the 584 Series, this 2U H x 19"W x 20"D rugged enclosure is constructed of Preplated Steel (Galvneel). This rackmountable enclosure consists of a shock and vibration isolated sub-chassis to meet the requirements of RTCA/DO 160D, MIL-STD-901D, and MIL-STD-167, and is fully shielded to meet the requirements of MIL-STD-461E. The 584 Series utilizes an electronics heater control system which heats the chassis to a safe operating temperature even in environments as low as -40°C, while also cooling in warmer environments via dual 44 CFM 12VDC fans that pressurize from front to rear.

The 584 Series includes custom I/O rear panels, a front circuit breaker, an AC indicator, a time meter, and a power supply fuse. A 350 watt power supply is standard. With mounting capabilities for up to a 10-slot PCI/ISA backplane, the 584 Series Enclosure provides users the ability to mount an industry standard HDD, floppy drive, and CD-ROM accessible through a hinged front panel.

High quality. Value priced. Carlo Gavazzi's 584 Series Enclosure is designed to meet the needs of embedded and applied computing OEMs and System Integrators addressing worldwide datacom/telecom, CTI, industrial automation, military/aerospace, and medical markets.



—innovative engineering, dependable products—

Carlo Gavazzi Computing Solutions designs and manufactures standard and custom AdvancedTCA™, CompactPCI®, PCI/ISA, and Switch Fabric backplanes, cabinets, enclosures, I/O boards, and integrated systems that address your outsourcing and time-to-market needs.



CARLO GAVAZZI COMPUTING SOLUTIONS

Electronic Packaging

Fabric & Connectivity

Embedded Computing

Fulfillment



2U Rugged Enclosure

584 Series

ELECTRONIC PACKAGING DIVISION

SPECIFICATIONS

Dimensions

- 3.5" High (2U) x 19" Wide x 20" Deep

Weight

- 5 lbs approximately

Construction/Finish

- Preplated Steel (Galvaneel)
- Black medium texture finish

Power Supply

Dual redundant 500 Watt

INPUT CHARACTERISTICS:

- VOLTAGE: 105 ~ 264 VAC FULL RANGE
- FREQUENCY: 47 ~ 63 Hz
- INPUT CURRENT: 8.0 / 4.0 A FOR 115 / 230 VAC
- INRUSH CURRENT: 60A / 80A MAX. FOR 115 / 230 VAC PER POWER MODULE

OUTPUT CHARACTERISTICS:

OUTPUT CURRENT REGULATION OUTPUT

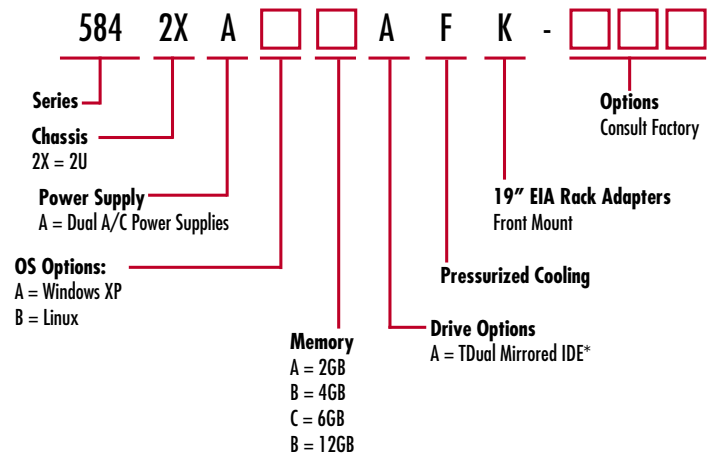
MIN. [A] MAX. [A] PEAK(A) LOAD LINE

- 5V 2.0 30 ± 5% ± 1% 50mV
- 12V 2 32 ± 5% ± 1% 120mV
- -5V 0.05 0.7 +5/-10% ± 1% 120mV
- -12V 0.05 0.7 +5/-10% ± 1% 120mV
- 3.3V 1.0 24 ± 5% ± 1% 50mV
- +5VSB 0.1 2.0 + 6/-5% ± 1% 50mV



ORDERING INFORMATION

Call for pricing and availability. *Custom versions quoted.*



Example: 5842XAABAFK-001 is a rugged 584 Series 2U rackmount enclosure with dual ac power supplies, loaded with Windows XP with 4GB of DDR Memory and dual mirrored IDE Drives.

* Consult factory for availed drive sizes.

CARLO GAVAZZI COMPUTING SOLUTIONS

East: 10 Mupac Drive, Brockton, MA 02301
West: 740 E. Glendale Ave., Sparks, NV 89431

• Tel. 508.588.6110
• Tel. 775.331.8283

• Fax 508.588.0498
• Fax 775.331.8004

• www.gavazzi-computing.com
• www.gavazzi-computing.com

