

# Horizontal Board Loading Enclosure

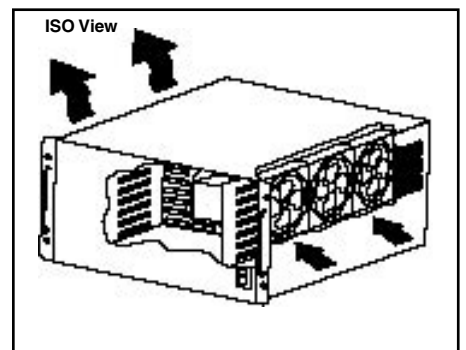
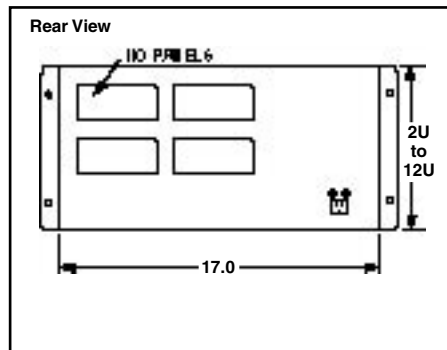
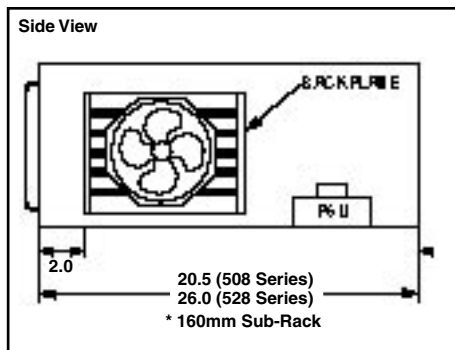
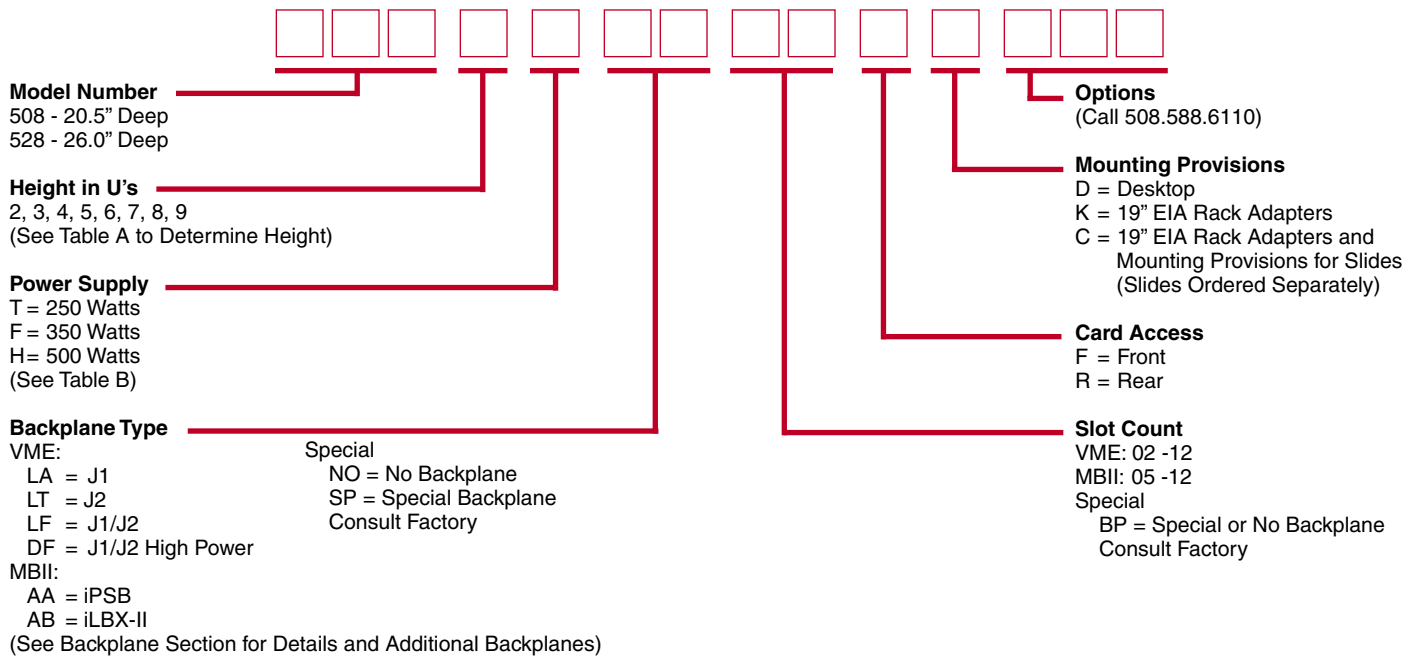
508/528 Series

## ELECTRONIC PACKAGING DIVISION



- 508 = 17" (431,8) W x 20.5" (520,7) D  
528 = 17" (431,8) W x 26.0" (660,4) D
- Modular Design for Low MTTR
- Compact Design
- Horizontal Loading
- Up to 500 Watts
- Fixed Mount Drive Options
- Hot Swap/Redundant Power Supplies
- Power and Airflow Monitoring

### Ordering Information



—innovative engineering, dependable products—

Carlo Gavazzi Computing Solutions designs and manufactures standard and custom AdvancedTCA™, CompactPCI®, PCI/ISA, and Switch Fabric backplanes, cabinets, enclosures, I/O boards, and integrated systems that address your outsourcing and time-to-market needs.



**CARLO GAVAZZI** COMPUTING SOLUTIONS

- Electronic Packaging
- Fabric & Connectivity
- Embedded Computing
- Fulfillment

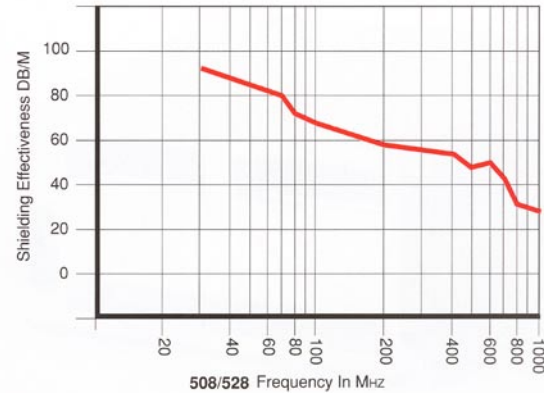
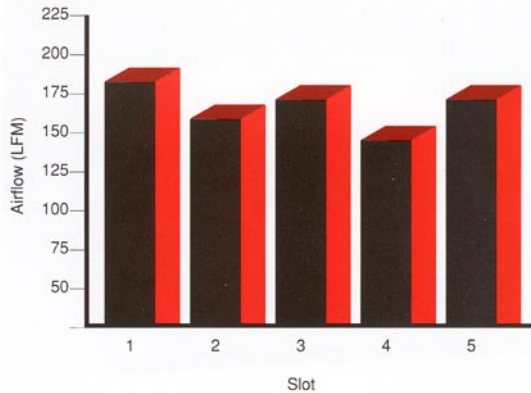


# Horizontal Board Loading Enclosure

508/528 Series

## ELECTRONIC PACKAGING DIVISION

### Test Data - Pressure Cooled 508/528 Series



### Design Specification 508/528 Series

#### Physical

- Depth - 508 = 20.5" (520,7)  
528 = 26.0" (660,4)
- Width - 17" (431,8) w/o EIA Ears

#### System Options

- Redundant Power Supplies
- Hot Swap Power Supplies
- Hot Swap Backplanes
- System Monitor
- Fan Monitor
- High Temperature Warning

#### Backplanes

- 100% Level 3 Elec. Test
- 100% Press-Fit Construction
- VME, VME Hot Swap, MBII
- See Backplane Section for Complete List of Options

#### Reliability

MTTR	MTBF
PSU = .5 hrs	= 100,000 hrs
FAN = .25 hrs	= 50,000 hrs
B/P = 1 hr	= 1,000,000 hrs

#### Environmental

- Operating Temperature  
0° to 50°C
- Storage Temperature  
20° to 85°C
- Humidity - Less Than 95%  
Noncondensing
- Acoustical - <45dba Typ.

#### Electrical

- Frequency 47-63 Hz  
(400 Hz Available)
- Voltage 90 - 132, 180 - 264 VAC  
(Auto range Available)
- Fusing - Line and Neutral
- Rear Power Entry, Dual Fusing
- Front On/Off, Reset
- Power - 250 - 500 Watts
- Power Factor Correction Available

#### Cooling

- Dual 90 CFM Fans
- 12V DC Brushless Sealed Ball Bearing
- Optional Air Filter
- Current Draw 500 mA/Fan Typ.

#### Designed To Meet

- UL 1950
- EN 60950
- VDE Class A
- CSA 22.2
- FCC Class A

#### Structure

- .09" (2,29) 5052-H32 Aluminum
- Clear Chromate MIL-C-5541 CL3
- Outside Surface Painted  
Fed. Std. 27780 Beige
- Anti-vibration Fasteners
- Conductive Interfaces

### Height

#### # of Slots

#### VME/MBII

- \*3, 5
- 6, 7
- 9
- 10
- 12
- 3
- 5, 6
- 7
- 9, 10
- 12
- 3
- 5, 6
- 7
- 9, 10
- 12

#### Peripheral Options

- No Drives
- No Drives
- No Drives
- No Drives
- No Drives
- Dual ½ Heights Over Rack
- Dual ½ Heights Over Rack
- Dual ½ Heights Over Rack
- Dual ½ Heights Over Rack
- Dual ½ Heights Over Rack
- Dual Full Heights Over Rack
- Dual Full Heights Over Rack
- Dual Full Heights Over Rack
- Dual Full Heights Over Rack
- Dual Full Heights Over Rack
- Dual Full Heights Over Rack

NOTE 1: Power Cabling is Included with All Disk Mounting Kits.

NOTE 2: Mounting Provisions are for 5¼" Peripherals.

\* VME Only

### Power Supply Current Outputs

Power Supply	+5	-5	+12	-12
250 Watts (T)	35A	1.5A	8/12A	2A
350 Watts (F)	50A	2A	8/12A	4A
500 Watts (H)	80A	2A	10/16A	10A

NOTE: All Power Supplies are Quad Output Switching Power Supplies.  
See Appendix for Power Supply Specifications.

**CARLO GAVAZZI**  
COMPUTING SOLUTIONS

East: 10 Mupac Drive, Brockton, MA 02301  
West: 740 E. Glendale Ave., Sparks, NV 89431

• Tel. 508.588.6110 • Fax 508.588.0498 • www.gavazzi-computing.com  
• Tel. 775.331.8283 • Fax 775.331.8004 • www.gavazzi-computing.com

